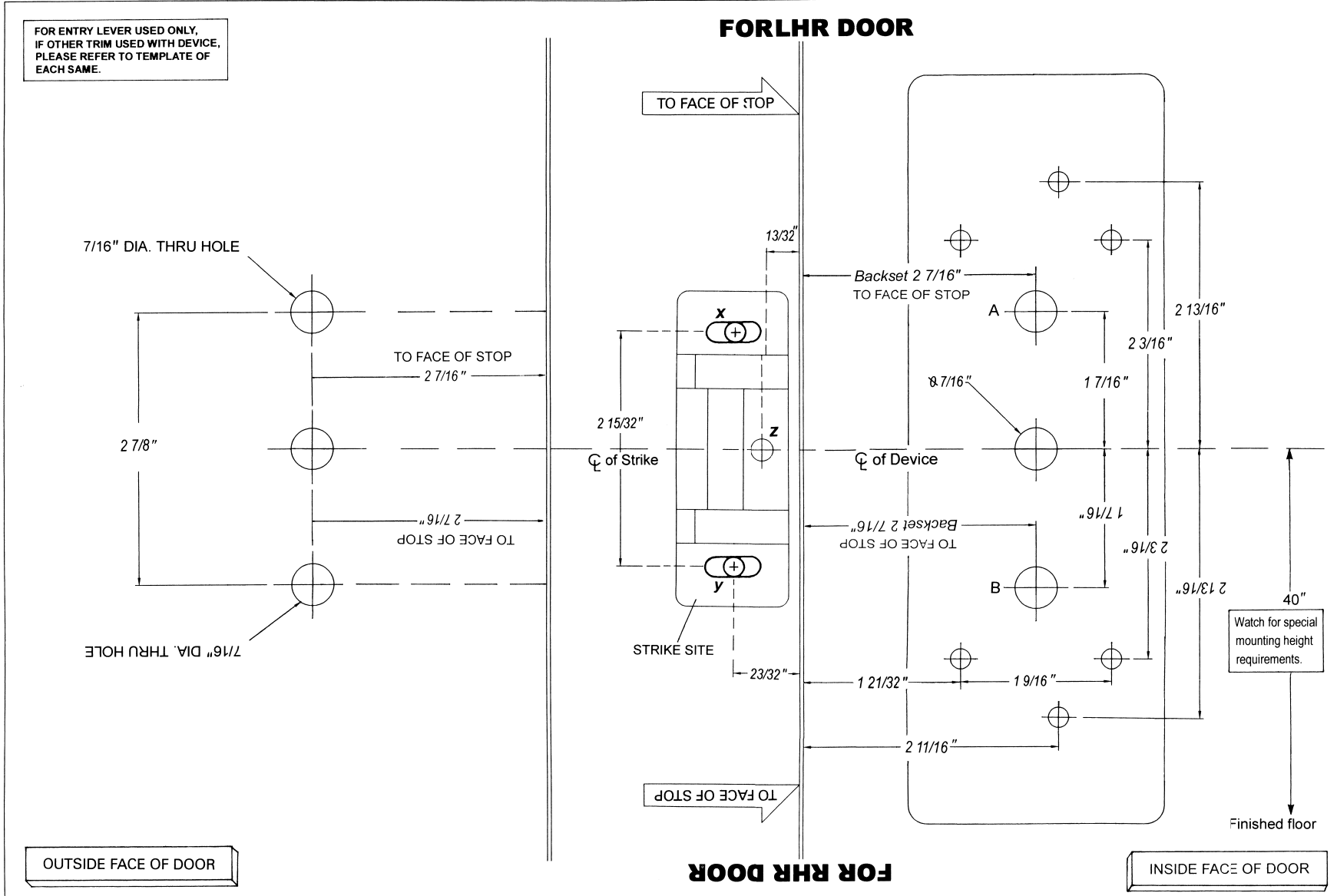


Devices covered by this template :  
Panic Rim Device and Fire Exit Rim Device.

# TEMPLATE



**DEVICE MOUNTING HOLES**

**For Metal Door surface Application :**

1. Drill 7/32" dia. Holes as same as marked.
2. Use #1/4 - 20 Tap

**For Sex Bolts Application :**

- Metal Door : 9/32" Drill Inside  
13/32" Drill Outside
- Wood Door : 13/32" Drill Thru  
( Suggest to fix Device Chassis by Sex Bolts . )

**STRIKE MOUNTING HOLES**

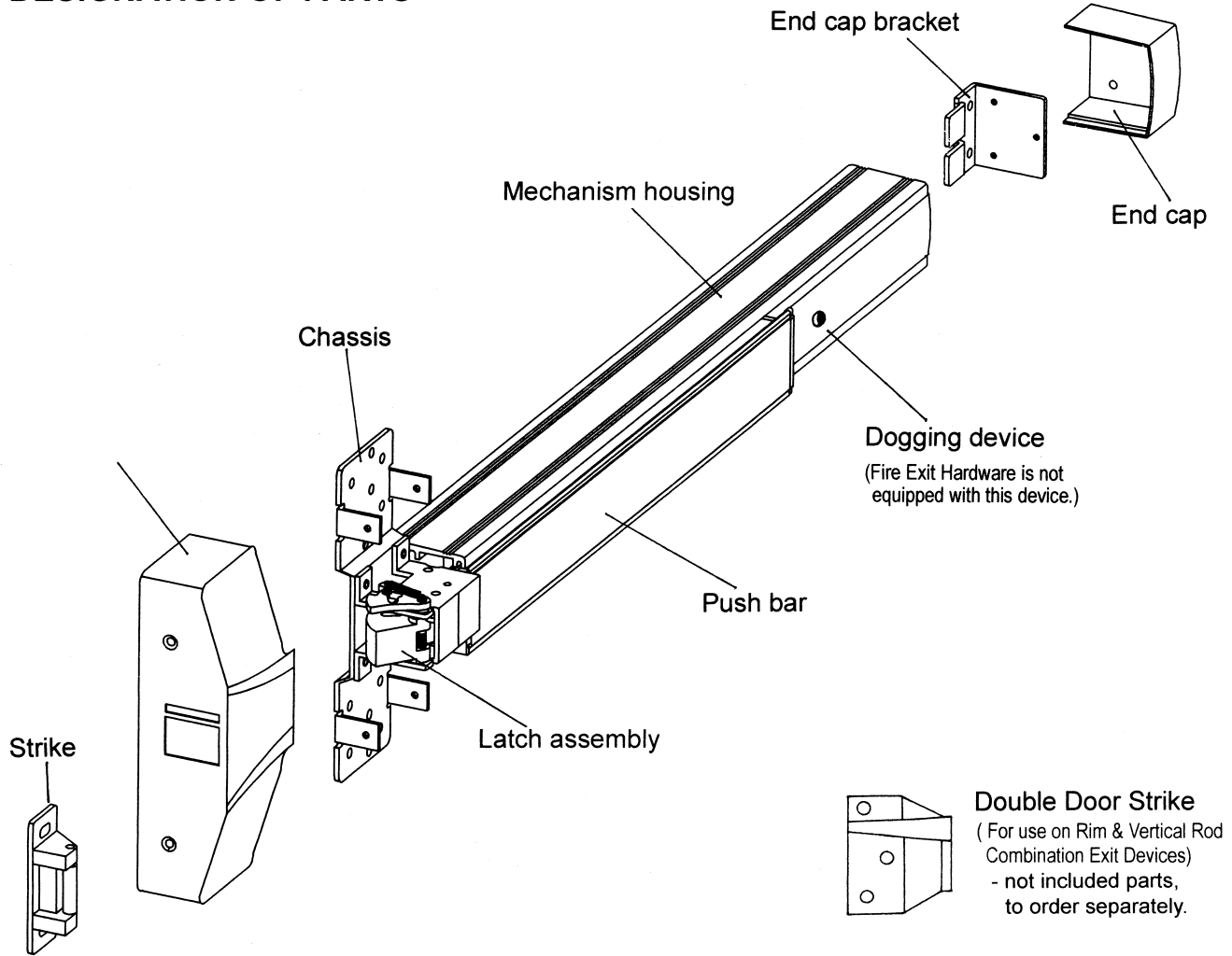
1. Drill 7/32" dia. Holes X 2
2. Use #1/4 - 20 Tap

- TEMPLATE : 1. Chassis of Latch Assembly**  
**2. Strike**  
**3. Entry Lever ( Escutcheon Lever Trim )**

**Note :** Before tighten screws on x, y positions, to adjust the strike for engaging with latch bolt first. After fixing the 2 screws, to drill z 3rd hole by 3/16" dia. and use #12-24 Tap, then fasten 3rd screw next.

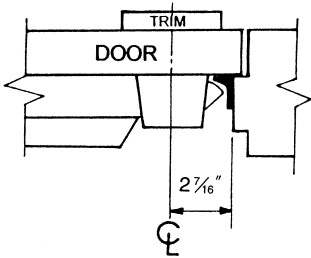
A, B : Setting holes for mounting posts of Entry Lever handle

## A. DESIGNATION OF PARTS

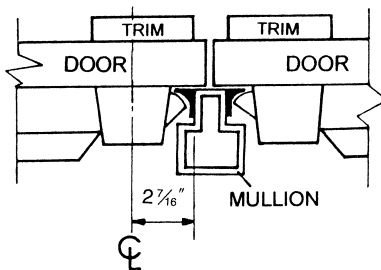


## B. TYPE OF INSTALLATION

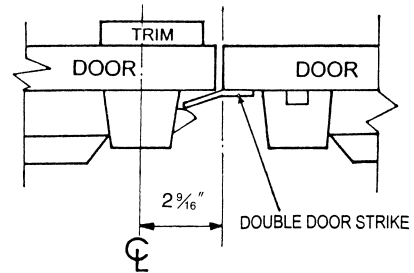
A. SINGLE DOOR



B. DOUBLE DOOR WITH MULLION



C. DOUBLE DOOR WITHOUT MULLION



## C. MARK POSITION FOR INSTALLING

1. Mark the center line of device by drawing a line across the door and stop 40" above as shown at right.
2. Fold or tape template and align center lines on template with center lines on door then mark position of mounting holes for Latch Assembly.
3. Move template up against stop then mark two mounting holes for Strike.
4. Drill holes as marked on door and jamb or mullion.

