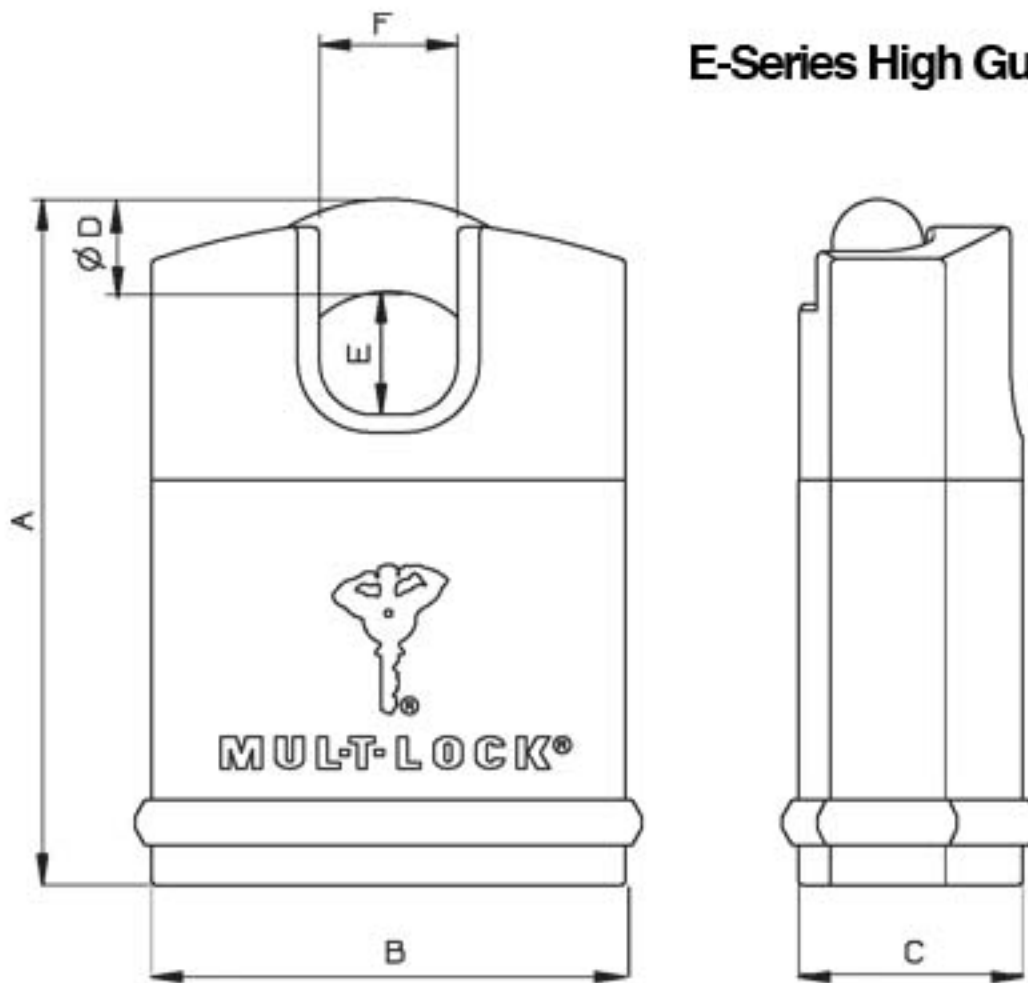


## E-Series High Guard Padlock



Model	Body			Shackle				Standard Grades*		Suitable Padbar
		A	B	C	D	E	F	"CEN"	"ASTM"	
E8-H	mm	84	52	33	8	15	16	4	6	PB-8
	Inch	3.228	2.047	1.229	0.314	0.551	0.629			
E11-H	mm	95	62	34	11	16	17	5	6	PB-11
	Inch	3.700	2.440	1.338	0.433	0.629	0.669			
E14-H	mm	107	72	34	14	19	21	6	6	PB-14
	Inch	4.094	2.834	1.338	0.551	0.748	0.826			
E18-H	mm	122	84	40	18	24	25	6+	6	PB-14
	Inch	4.606	3.307	1.574	0.708	0.944	0.984			

\*Applicable to "ASTM", "CEN" grade standard.