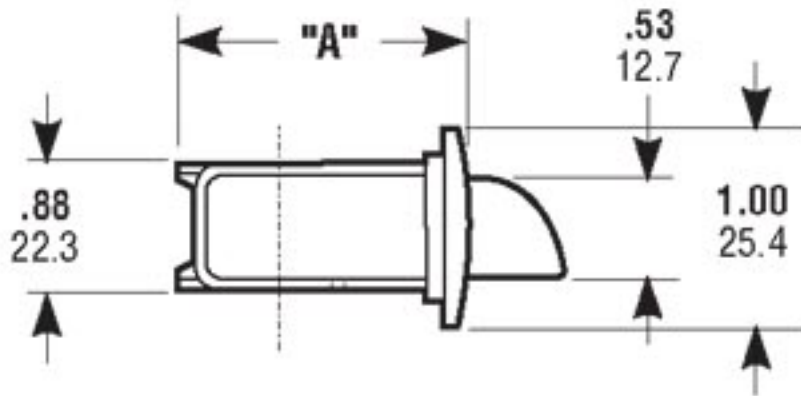
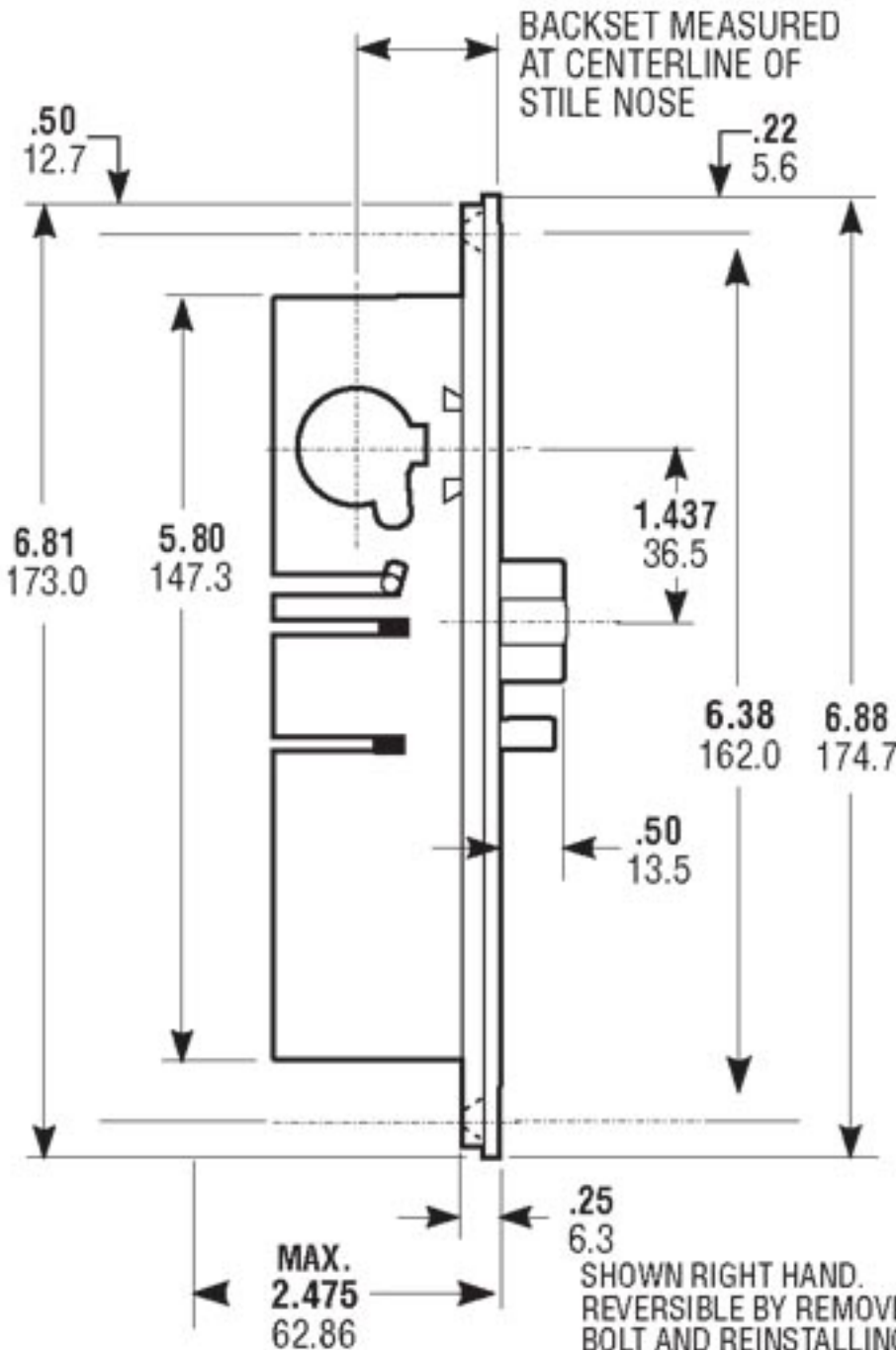


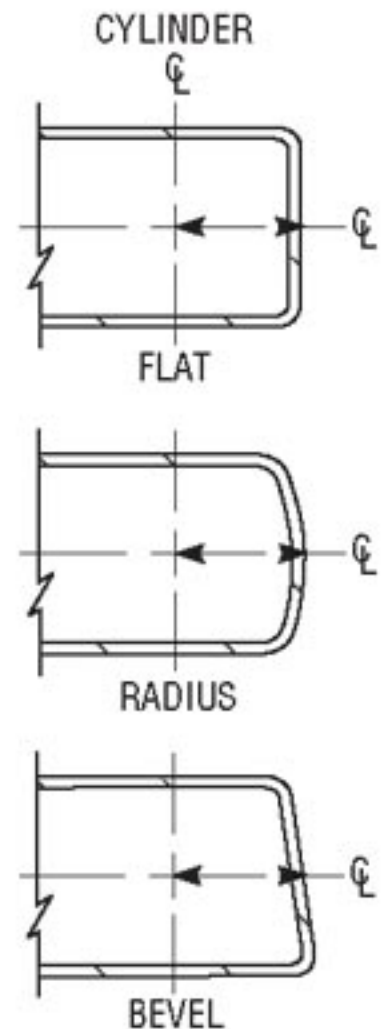
GLO-TH1103 Mortise Lock Deadlatch



BACKSET	"A"
7/8" 22.2	1.51 38.3
31/32" 24.6	1.60 40.6
1-1/8" 28.6	1.76 44.7
1-1/2" 38.1	2.14 54.3



HOW BACKSET IS MEASURED



SHOWN RIGHT HAND.
REVERSIBLE BY REMOVING
BOLT AND REINSTALLING
FOR OPPOSITE HAND.