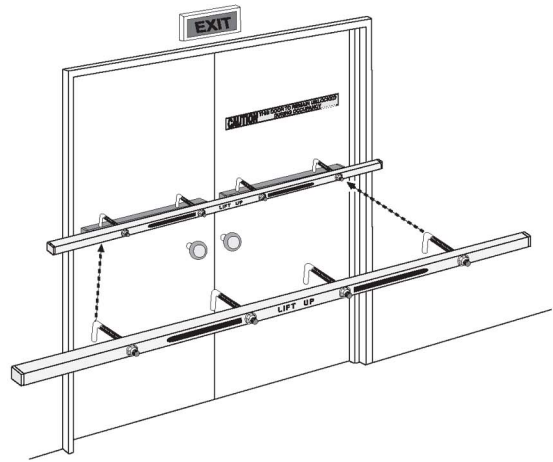
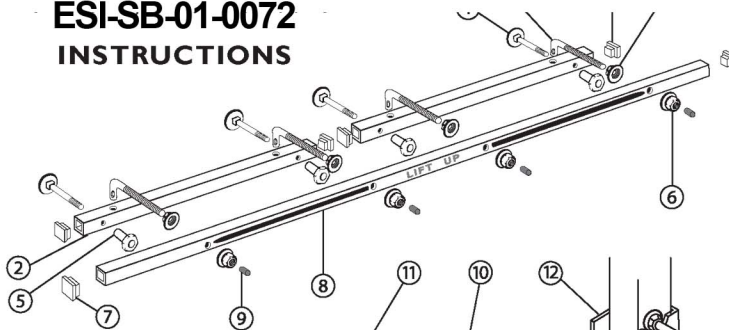


# ESI-SB-01-0072 INSTRUCTIONS



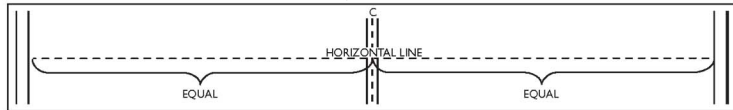
**CAUTION** THIS DOOR TO REMAIN UNLOCKED DURING OCCUPANCY



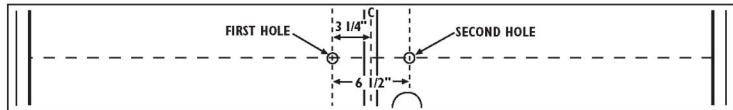
PRADLOCK NOT INCLUDED

ITEM#	QTY.	DESCRIPTION
1	4	5/16" Elevator Bolt
2	2	1" Square Tubing
3	4	1/2" "L" Bolt
4	4	1" End Cap
5	4	5/16" Step Nut
6	8	1/2" Flange Nut
7	2	1 1/4" End Cap
8	1	1 1/4" Square Tubing
9	4	1/2" Red End Cap
10	1	Steel Grip (See Step 7)
11	1	Caution Decal Sign
12	1	Storage Bracket

**1** Find the centerline between door jams.

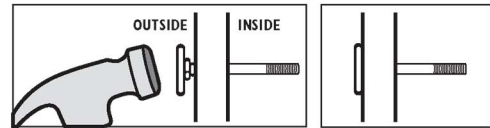


**2** Measure 3 1/4" from center line to locate first hole. Then measure 6 1/2" over from that first hole to locate the second hole. Use a center punch. ACCURACY IS IMPORTANT.

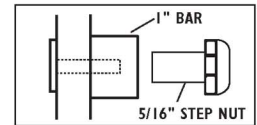
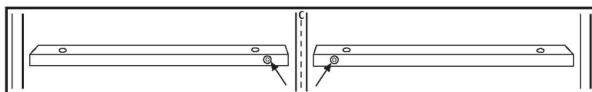


**3** Drilling procedure: Use a 5/16" bit for drilling doors. Drill two holes completely through the doors, keeping in mind to DRILL AS SQUARE TO THE DOOR AS POSSIBLE.

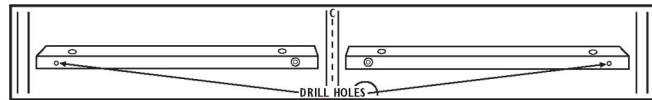
**4** Install elevator bolts in the doors. Note, there is a square shank next to the head. This square area will not let the bolt go completely into place. Strike the head of the bolt two or three times to penetrate door so head of bolt will be flush with the outside of the door.



**5** Install the 1" bars on doors using two bolts and two nuts.



**6** Drill the third and fourth hole completely through the door by placing the drill bit THROUGH the 1" bar, and drilling completely through the door. Install the third and fourth elevator bolt and nut. Repeat steps 4 and 5.



**7** Installation of 1 1/4" bar assembly:

Place L bolts & flange nuts together with 1 1/4" bar. See A, B & C. Remove the 1 1/4" bar assembly and replace it several times, adjusting the two nuts as necessary to make a perfect fit. Tighten both nuts firmly. Remove 1 1/4" bar. *Only after final tightening should you apply 2 drops of Steel Grip at each point as shown in drawing "D".* Steel Grip has a wicking characteristic, therefore do not loosen nuts. And last, install 1/2" red caps on end of bolts.

