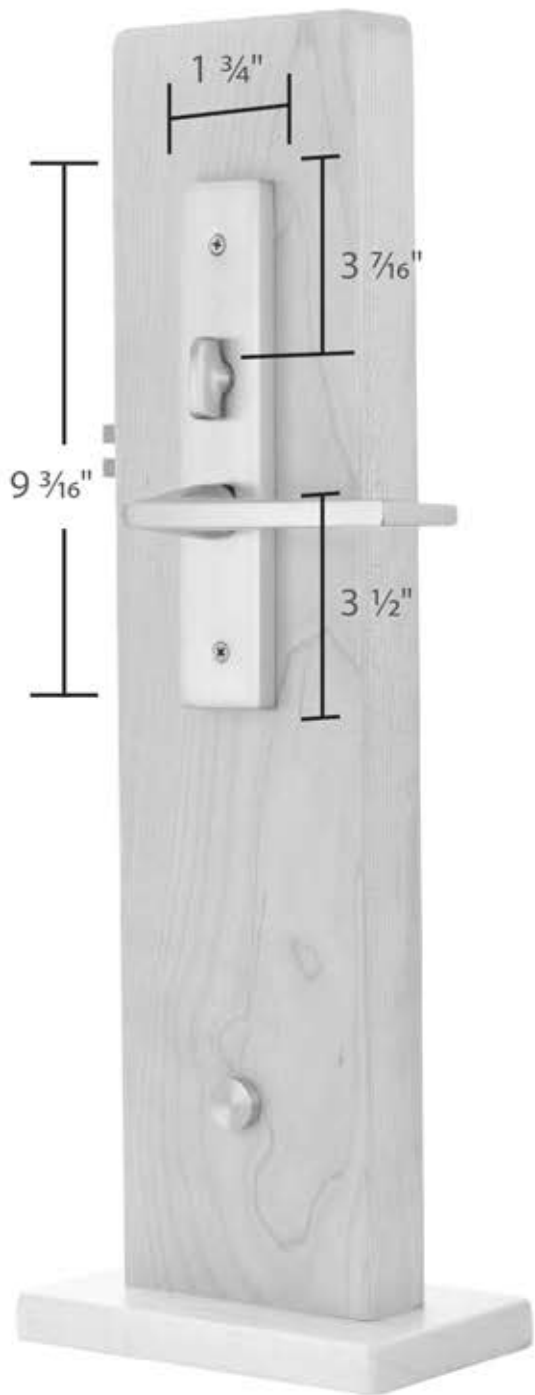


# Emtek Brisbane Mortise



**Brisbane**  
Trim Style  
Part # UL 3311



Standard interior trim  
Part # UL 3311 & 3312

**Additional Dimensions:** (Part# UL 3311 & 3312)

- Exterior Projection is 2 1/2"
- Interior Projection Depends on Handle Style
- Overall Grip thickness: 1"
- Clearance between door & grip is 1 1/2" - 1 7/8"
- Plates thickness: 1/2"

**Same dimensions for dummy function**