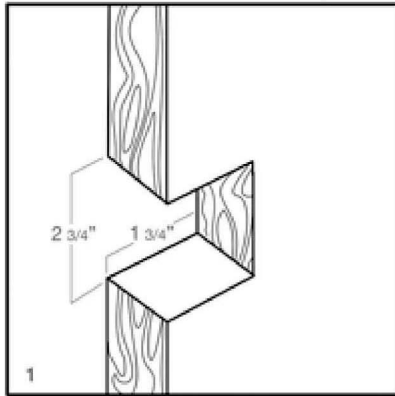
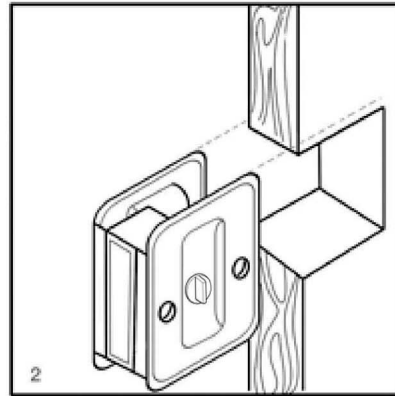


DWD-SDLLA325 Installation Instructions

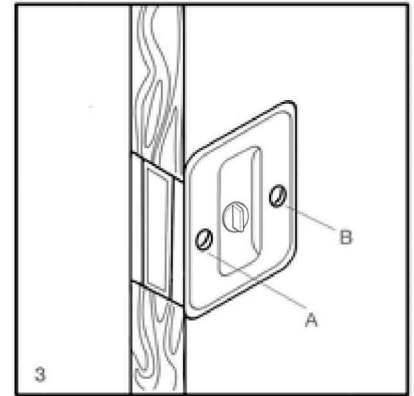
INSTALLATION INSTRUCTIONS / Heavy Duty & Adjustable / Fits Door Thickness: 13/8" - 13/4"



Cut one simple notch in door.

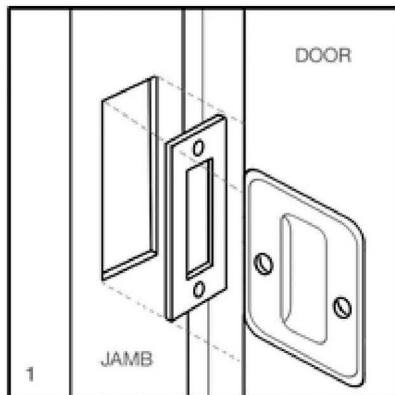


Slip pull into position as shown.

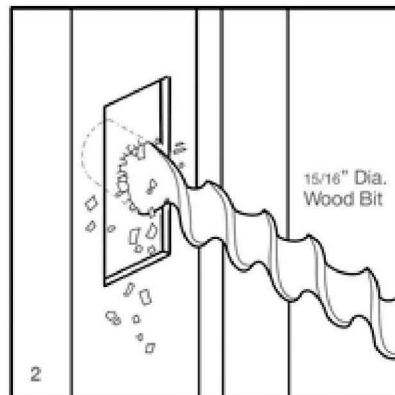


(A) Fasten machine screw which tightens and automatically aligns pull.
(B) Insert wood screw and tighten.

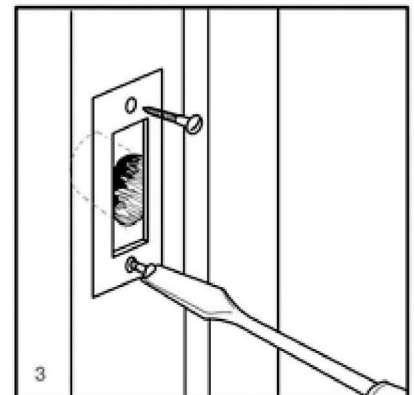
INSTALLATION OF STRIKE PLATE FOR LOCKING SET ONLY



Mark and mortise strike on jamb to correspond to lock position on door
1 1/16" x 2 1/2" x 1/16" deep.



Drill 15/16" diameter hole 1/2" deep
in center of mortise.



Screw strike plate into position using
#6 x 5/8" long flat head wood screws.