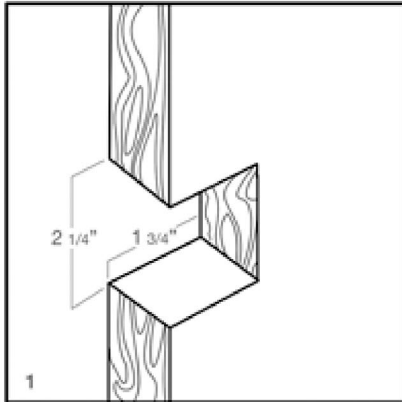
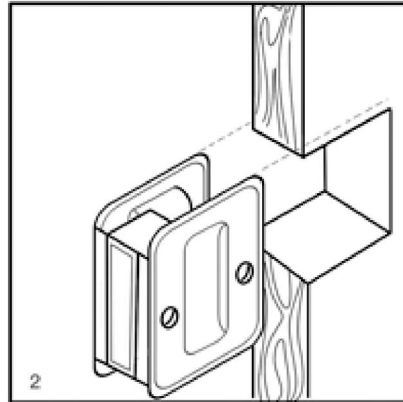


DEL-SDP25 & DEL-SDL25 Installation Instructions

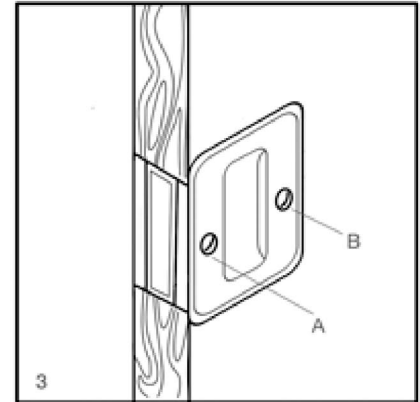
INSTALLATION INSTRUCTIONS / Fits Door Thickness: 13/8"



1 Cut one simple notch in door.

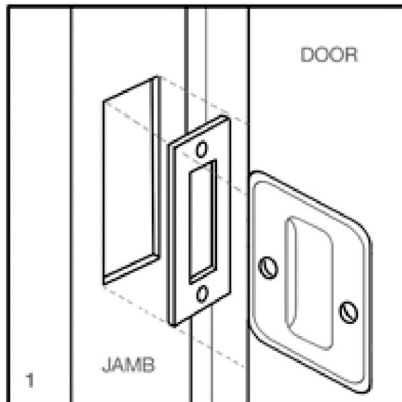


2 Slip pull into position as shown.

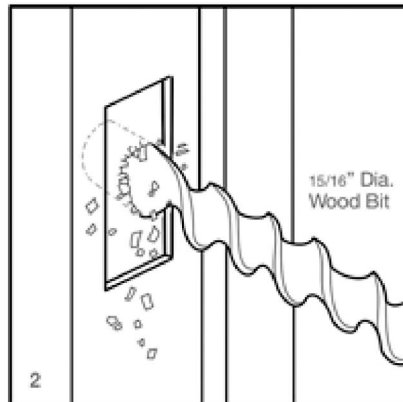


3 (A) Fasten machine screw which tightens and automatically aligns pull.
(B) Insert wood screw and tighten.

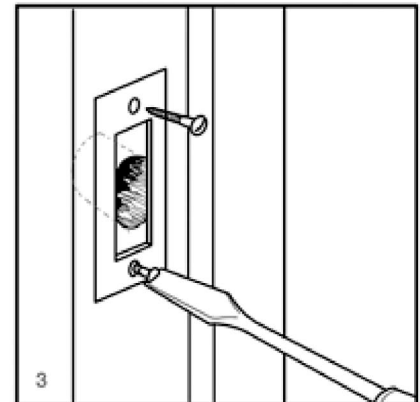
INSTALLATION OF STRIKE PLATE FOR LOCKING SET ONLY



1 Mark and mortise strike on jamb to correspond to lock position on door
1" x 2 1/4" x 1/16" deep.

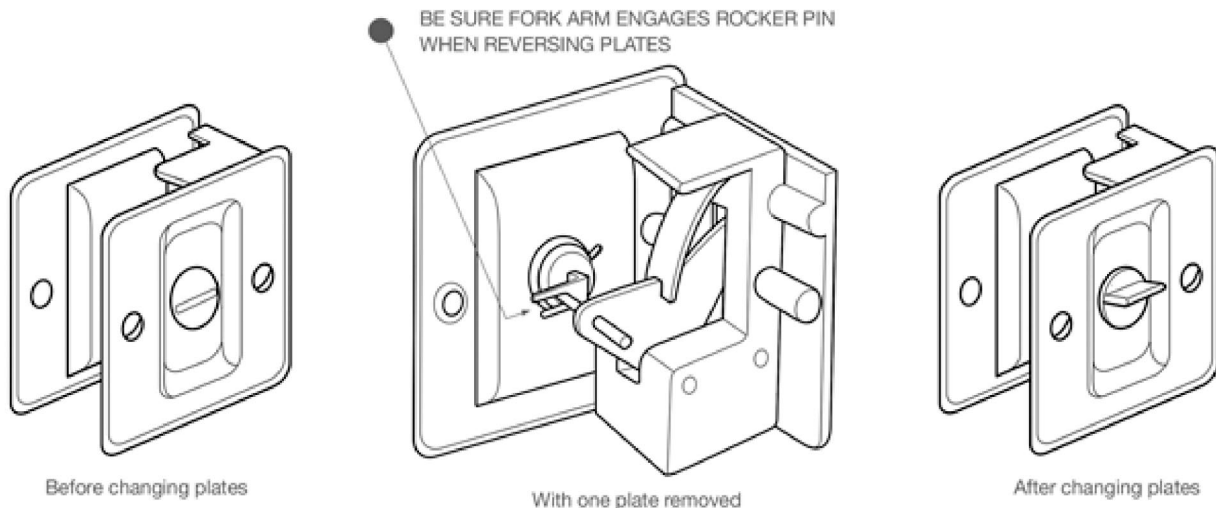


2 Drill 15/16" diameter hole 1/2" deep
in center of mortise.



3 Screw strike plate into position using
#6 x 5/8" long flat head wood screws.

TO ASSEMBLE AFTER REVERSING PLATES



When it is desirable to reverse outside plates on lock assembly, first remove machine screw on each side-change plates from side to side (making sure that fork arm engages rocker pin) and re-assemble.