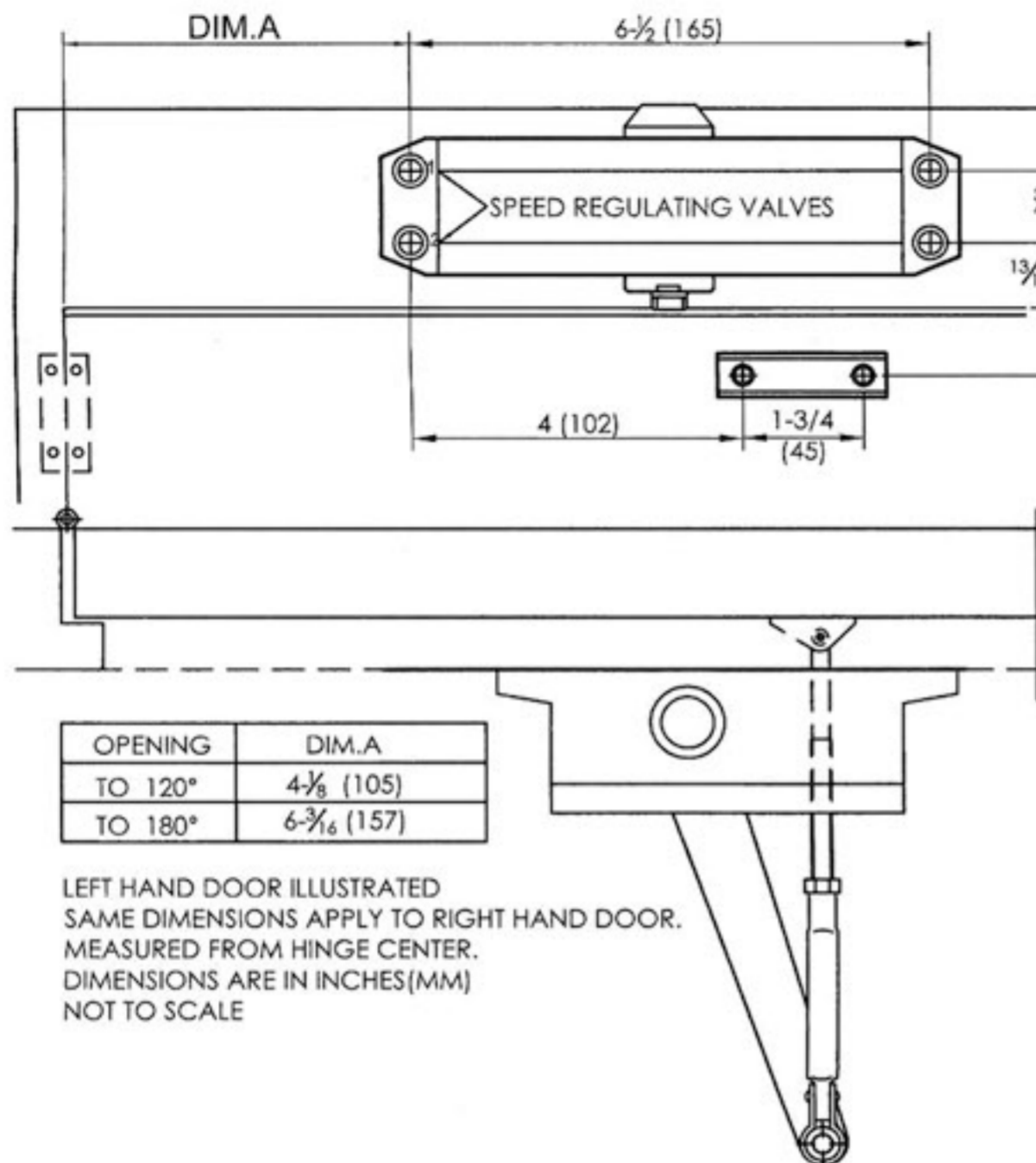
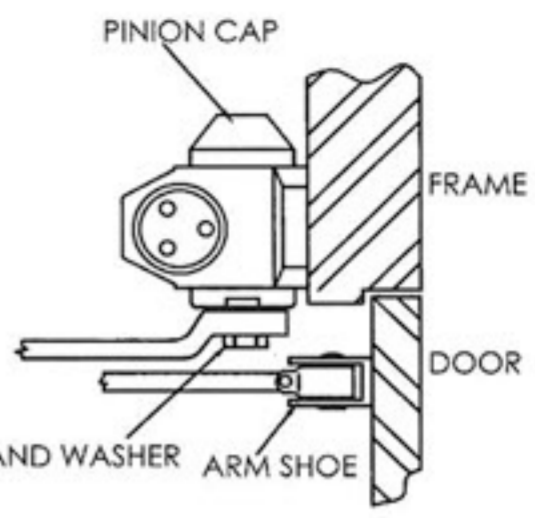


TOP JAMB APPLICATION (PUSH SIDE)



OPENING	DIM.A
TO 120°	4-7/8 (105)
TO 180°	6-3/8 (157)

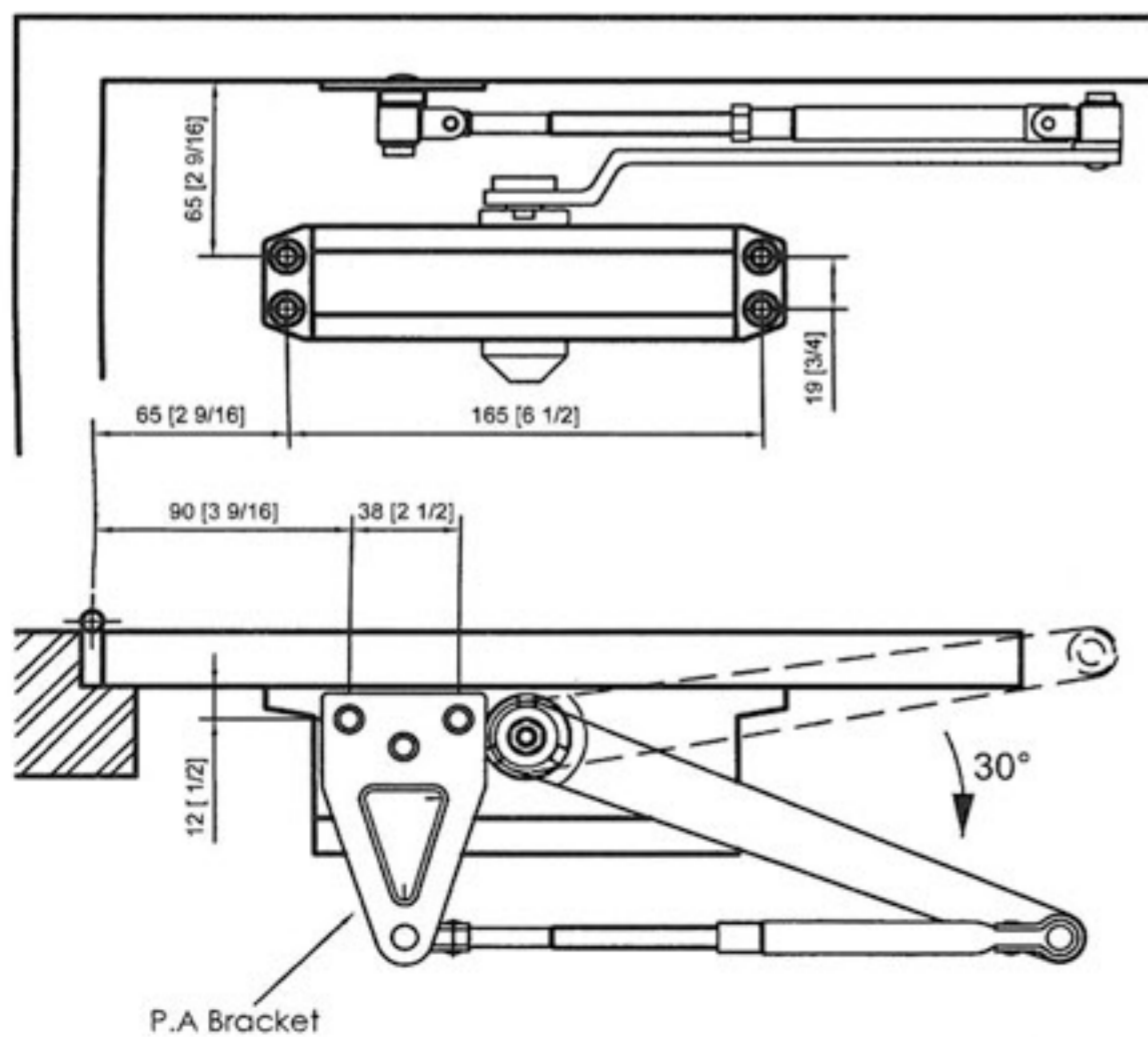
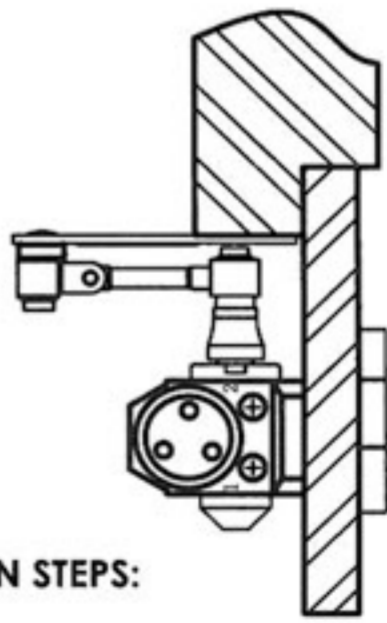
LEFT HAND DOOR ILLUSTRATED
 SAME DIMENSIONS APPLY TO RIGHT HAND DOOR.
 MEASURED FROM HINGE CENTER.
 DIMENSIONS ARE IN INCHES(MM)
 NOT TO SCALE



INSTALLATION STEPS:

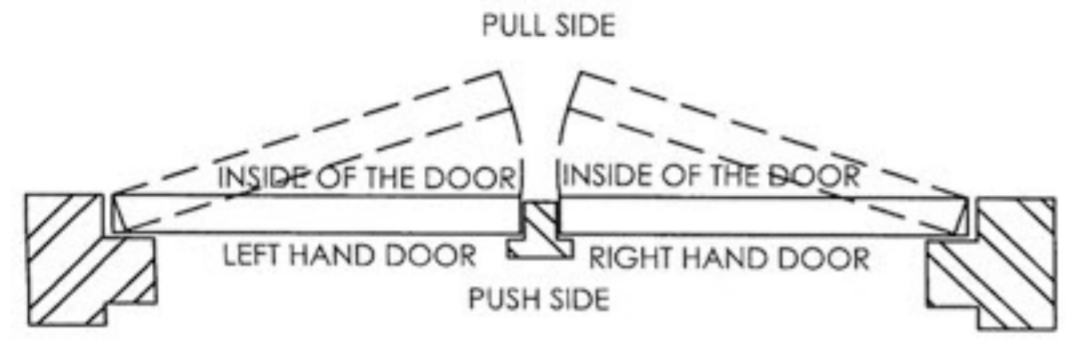
- 1.SELECT DOOR OPENING ANGLE USING DIMENSIONS AS SHOWN. MARK 4 HOLES ON FRMAE FACE FOR CLOSER AND 2 HOLES ON DOOR FOR ARM SHOE.
2. INSTALL CLOSER WITH SPEED REGULATING VALVES TOWARDS HINGE.
- 3.INSTALL MAIN ARM ONTO CLOSER PINION SHAFT.
- 4.MOUNT FOREARM WITH ARM SHOE TO DOOR.
5. ADJUST LENGTH OF FOREARM TO BE PERPENDICULAR (AT A 90° ANGLE) TO THE DOOR, WHEN CONNECTED TO THE MAIN ARM.
- 6.SNAP PINION CAP ONTO PINION SHAFT BY HAND.
7. ADJUST CLOSER SPEED.

PARALLEL ARM APPLICATION (PUSH SIDE)

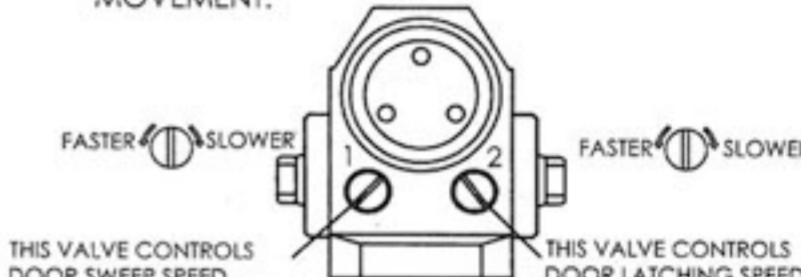



INSTALLATION STEPS:

- 1.mark six (4) holes on door for door closer and three (3) holes underside of frame for bracket.
- 2.Drill pilot holes in door and frame separately.
- 3.Mount closer on door using screws provided.Adjustable valves must be BACK HINGE EDGE.
- 4.Install parallel Arm Bracket to frame using screws provided.
- 5.Using a wrench on the shaft at bottom of closer, rotate shaft approximately 30 angles toward hinge edge of door. Hold and place main arm of shaft on top of closer. Tighten arm screw with lockwasher securely.
- 6.Remove arm shoe from the forearm and discard (arm shoe is not used for parallel installation) and tighten screw security.
- 7.Adjust length of adjustable forearm so that adjustable forearm is parallel to frame.
- 8.Snap pinion cap over shaft at bottom closer
- 9.Adjust closing speed.

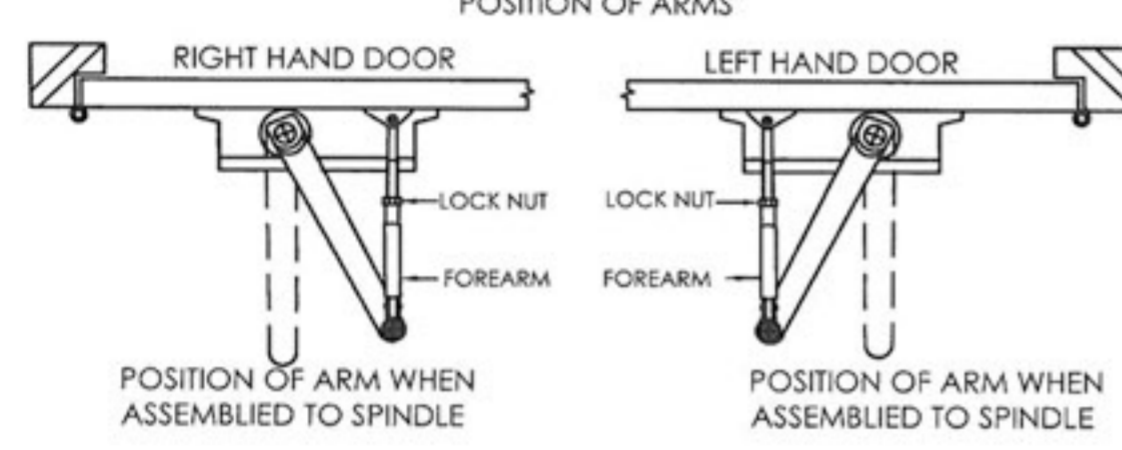


REGULATING DOOR SWEEP AND LATCHING SPEED
 TURN SPEED REGULATING VALVE CLOCKWISE TO SLOW DOWN OR COUNTER CLOCKWISE TO SPEED UP DOOR MOVEMENT.



THIS VALVE CONTROLS DOOR SWEEP SPEED. THIS VALVE CONTROLS DOOR LATCHING SPEED.

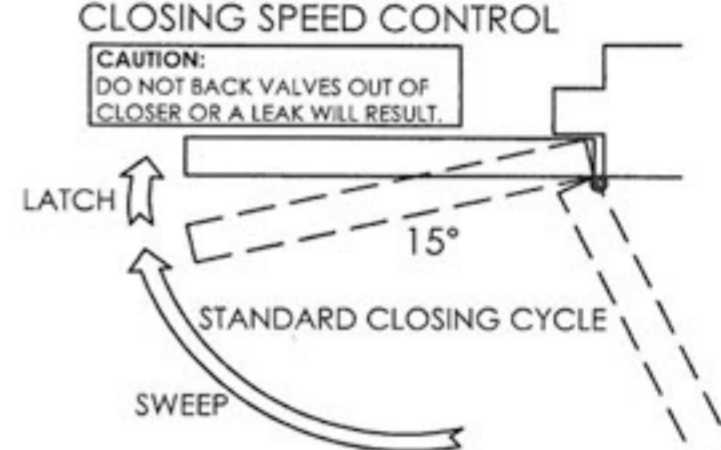
POSITION OF ARMS



POSITION OF ARM WHEN ASSEMBLED TO SPINDLE

CLOSING SPEED CONTROL

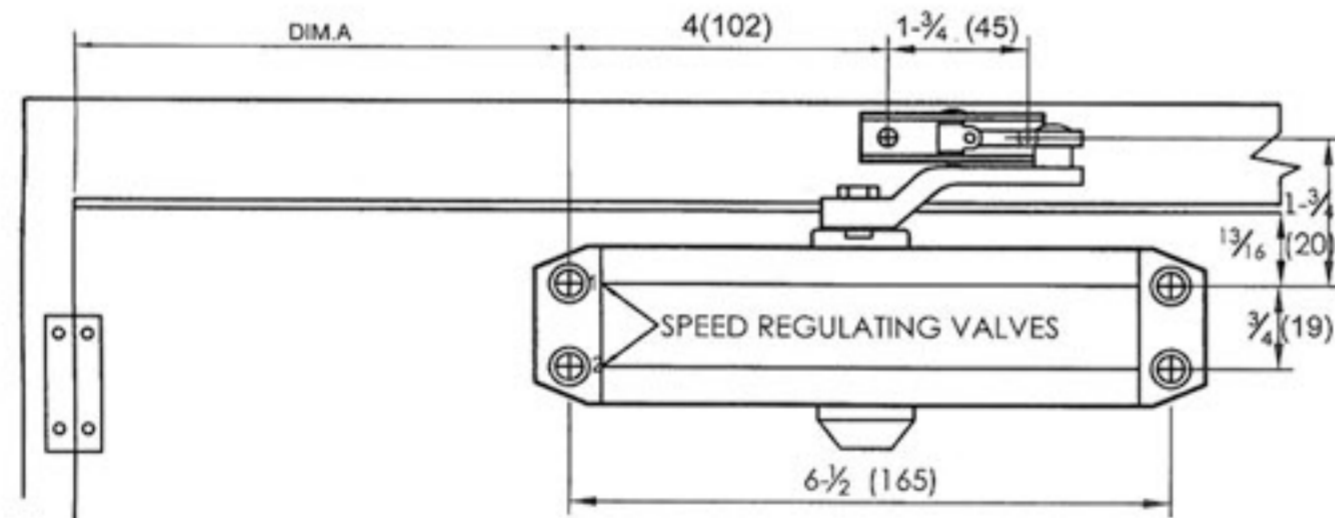
CAUTION:
DO NOT BACK VALVES OUT OF CLOSER OR A LEAK WILL RESULT.

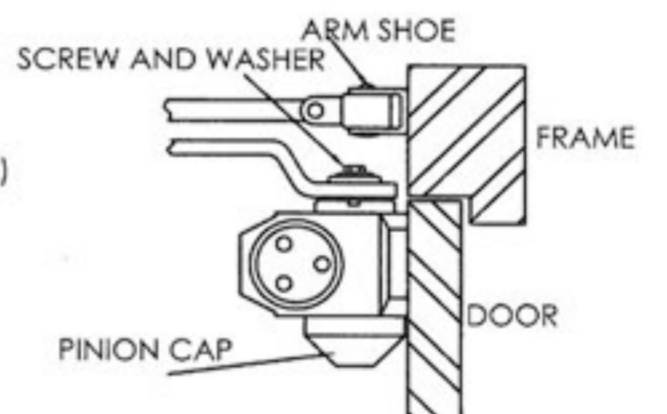


PLEASE READ THIS INSTRUCTION CAREFULLY BEFORE INSTALLATION; WE **WON'T BE RESPONSIBLE FOR ANY RESULTS WHICH ARE CAUSED BY IMPROPER INSTALLATION.**

IMPROPER INSTALLATION OR REGULATION MAY RESULT IN PERSONAL INJURY OR PROPERTY DAMAGE. FOLLOW ALL INSTRUCTIONS CAREFULLY PLEASE.

REGULAR ARM APPLICATION (PULL SIDE)





INSTALLATION STEPS:

1. SELECT DOOR OPENING ANGLE USING DIMENSIONS AS SHOWN. MARK 4 HOLES ON DOOR FOR CLOSER AND 2 HOLES ON FRAME FACE FOR ARM SHOE.
2. INSTALL CLOSER WITH SPEED REGULATING VALVES TOWARDS HINGE.
3. INSTALL MAIN ARM ONTO CLOSER PINION SHAFT.
4. MOUNT FOREARM WITH ARM SHOE TO FRAME FACE.
5. ADJUST LENGTH OF FOREARM TO BE PERPENDICULAR (AT A 90° ANGLE) TO THE DOOR, WHEN CONNECTED TO THE MAIN ARM.
6. SNAP PINION CAP ONTO PINION SHAFT BY HAND
7. ADJUST CLOSER SPEED.

OPENING	DIM.A
TO 120°	4-7/8 (105)
TO 180°	6-3/8 (157)

RIGHT HAND DOOR ILLUSTRATED
 SAME DIMENSIONS APPLY TO LEFT HAND DOOR.
 MEASURED FROM HINGE CENTER.
 DIMENSIONS ARE IN INCHES(MM)
 NOT TO SCALE