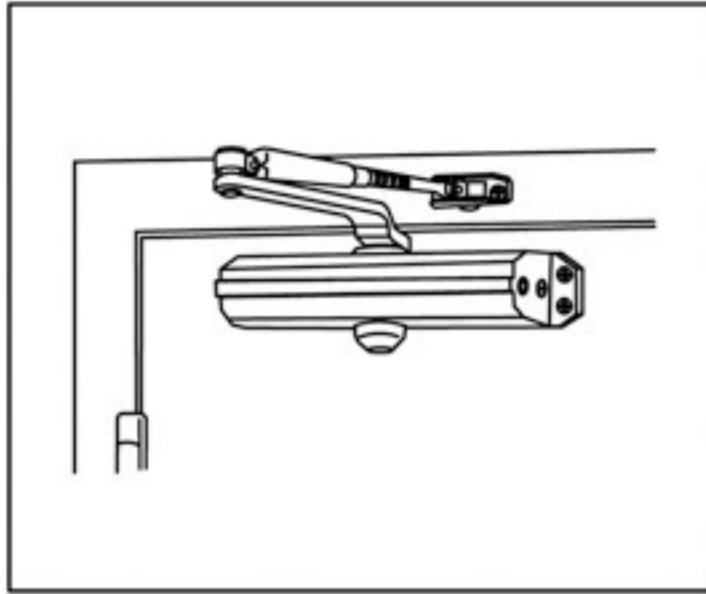
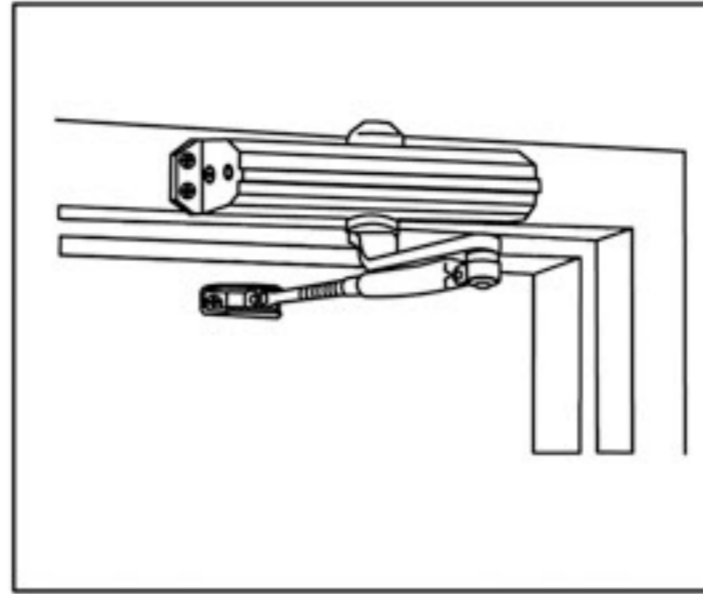


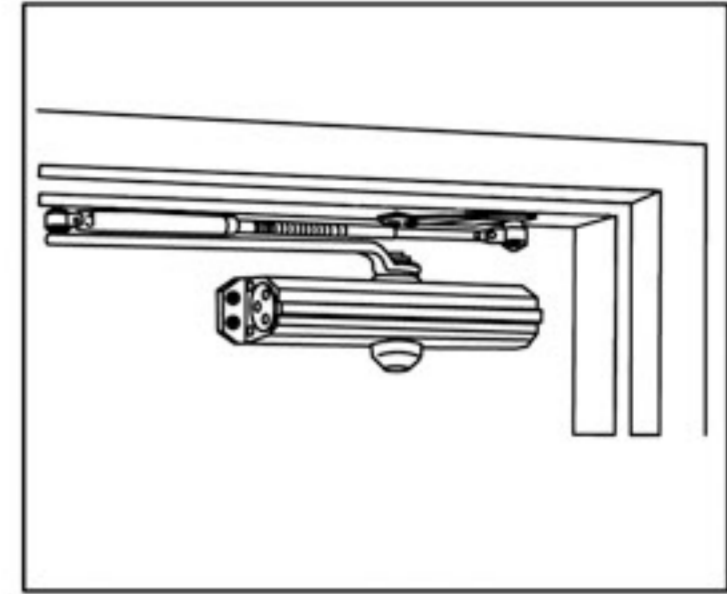
MOUNTING OPTIONS:



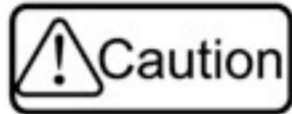
Regular Arm(Pull Side)



Top Jamb(Push Side)

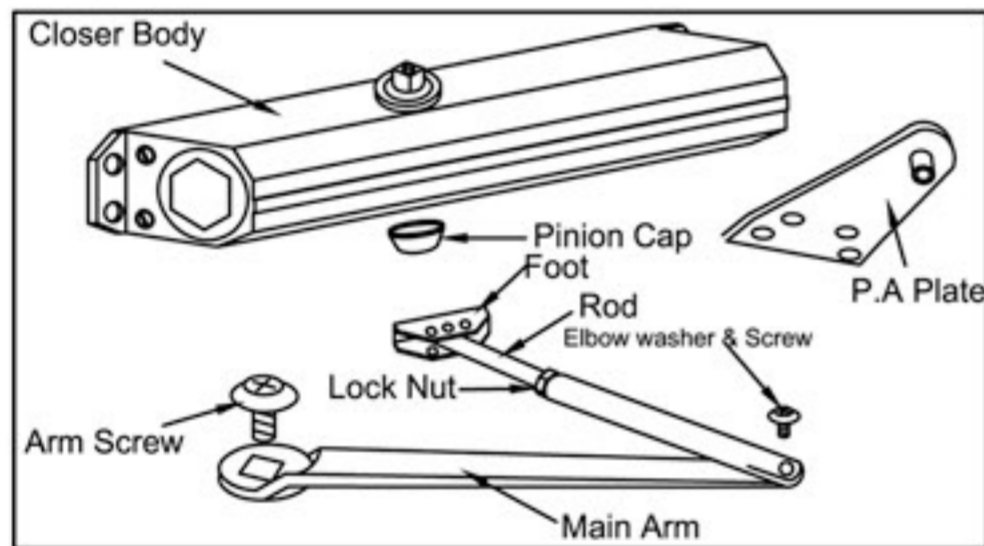


Parallel Arm(Push Side)



PLEASE READ THIS INSTRUCTION CAREFULLY BEFORE INSTALLATION; WE **WON'T BE RESPONSIBLE FOR ANY RESULTS WHICH ARE CAUSED BY IMPROPER INSTALLATION.**

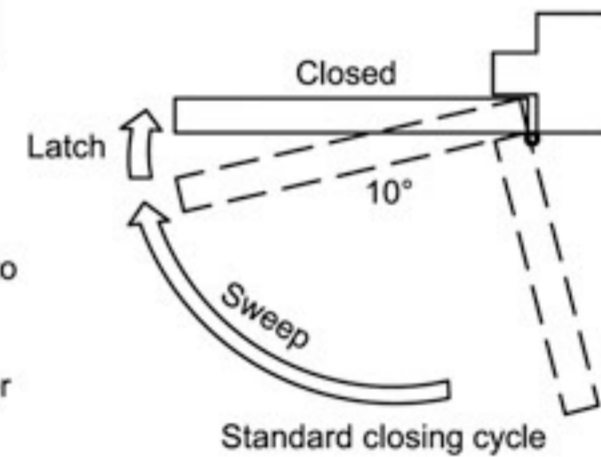
SPARE PARTS OF CLOSERS



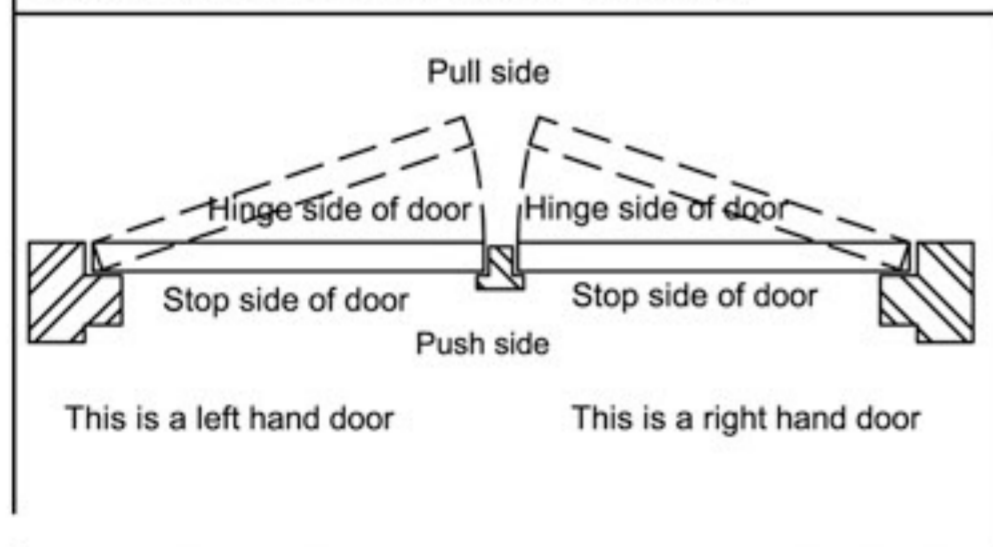
DOOR CLOSING CONTROL

Caution: Do not back valves out of closer or a leak will result.

ATTENTION: Adjust closing time between 4 to 6 second from 90°. USE of the door by handicapped, elderly or small children may require longer closing time.



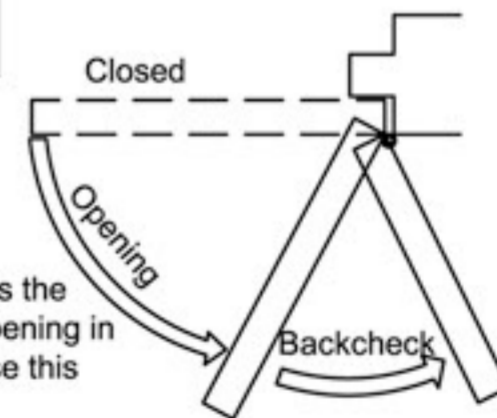
HOW TO TELL HAND OF DOOR.



DOOR OPENING CONTROL

Caution: Do not back valves out of closer or a leak will result.

ATTENTION: Backcheck ("BC") valve controls the hydraulic resistance to door opening in backcheck range. NEVER close this valve completely. it is not to provide a positive stop.

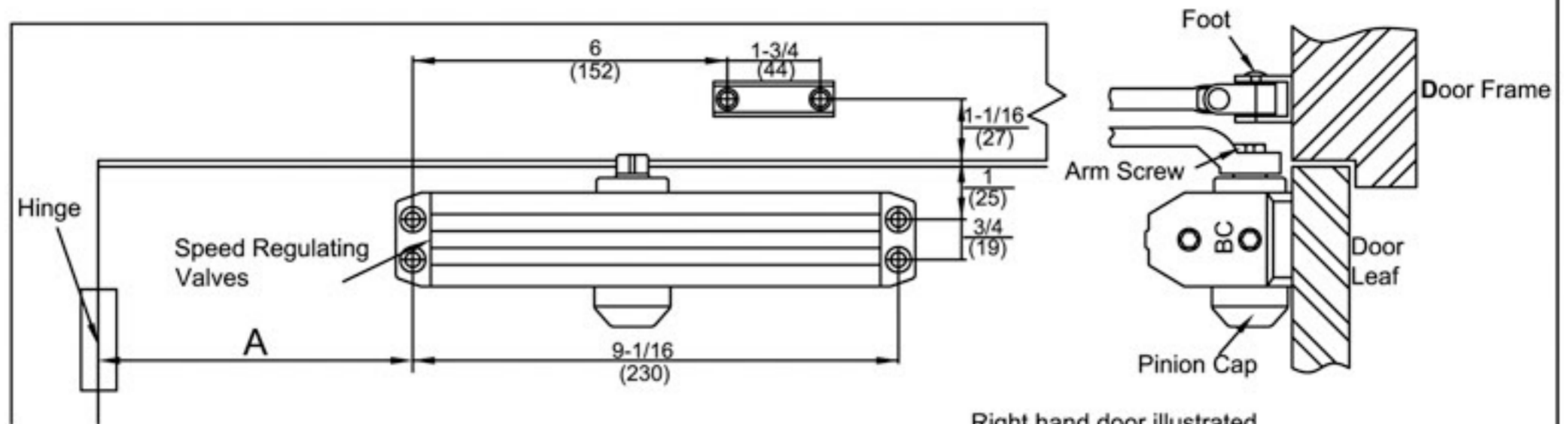


Size 1 Thru 4 SETTING AND DOOR WIDTH

Regular & Top Jamb Closers				Parallel Arm Closers			
Maximum Size of Door Width (Factory Preset Size 3)							
Closer Size	Interior	Exterior Inswing	Exterior Outswing	Closer Size	Interior	Exterior Outswing	Full 360° Turns
1	28"	—	—	1	—	—	8 Turns C.C.W
2	36"	—	—	2	30"	—	5 Turns C.C.W
3	42"	30"	36"	3	36"	30"	0 Turns
4	48"	36"	42"	4	42"	36"	6 Turns C.W

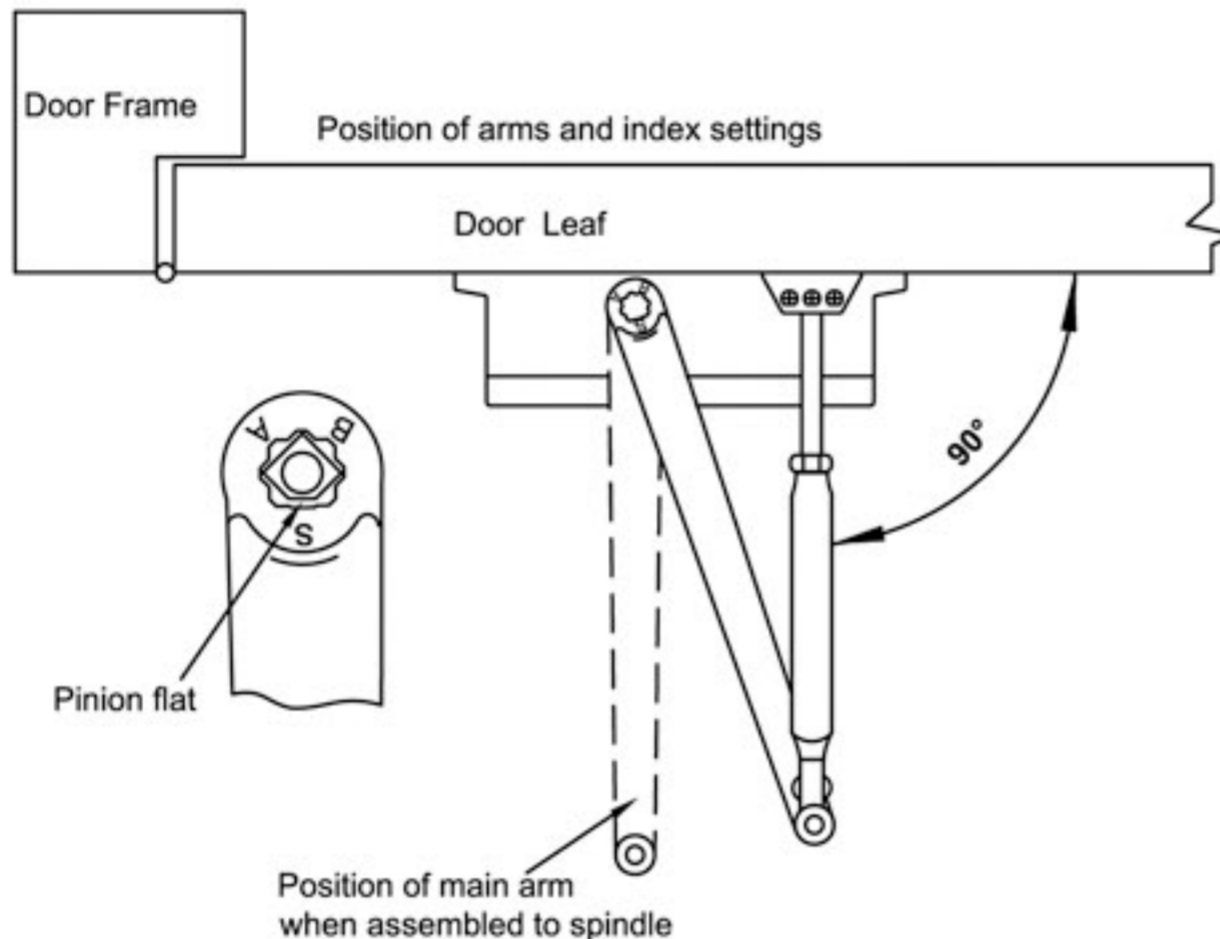
REGULAR ARM(PULL SIDE)

TECHNICAL DIMENSIONS



Dimension Model No.:	Dimension "A"		Opening Angle
	Inch	mm	
DC1050	6	152	120°
	3-1/2	89	180°

Right hand door illustrated same dimensions apply to left hand door. Measured from hinge Center. Dimensions are in inches (mm) Not To Scale

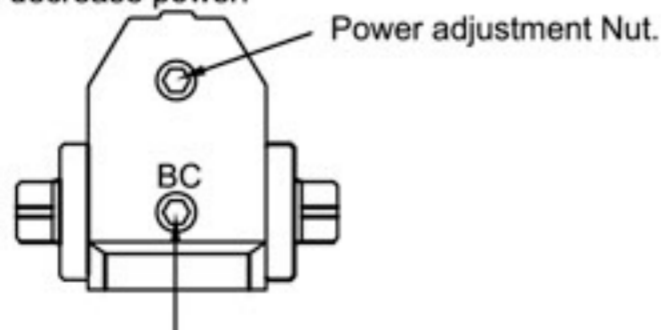


INSTALLATION STEPS:

1. Select opening degree of the door. USE Dimensions as shown to drill mounting holes on door leaf and frame.
2. Assemble main arm to closer pinion spindle.
3. Attach the closer body to door leaf with speed regulating valves toward hinge.
4. Attach the foot and rod to the door frame.
5. Adjust length of the forearm to position forearm at right angle to the door leaf when connected to main arm at elbow. USE Washer and screw provided to secure pivot connection. Tighten locknut on forearm.
6. Snap pinion cap over spindle at bottom of closer.
7. Adjust closer.

POWER SIZE AND BACK CHECK ADJUSTMENT

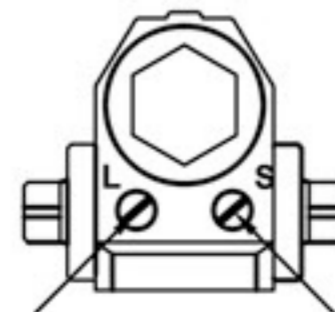
Adjust the spring power as per chart on page 1. DO NOT exceed the maximum turns. The spring power has been preset on size 2 in factory. Turn this screw clockwise to increase or counter clockwise to decrease power.



Turn BC regulating valve clockwise to strengthen or counter clockwise to reduce the intensity. NEVER close this valve completely.

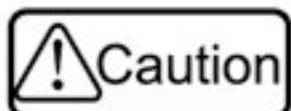
SWEEP AND LATCHING SPEED ADJUSTMENT

Turn speed regulating valve colockwise to slow down or counter clockwise to speed up door movement.



This vavle controls latching speed

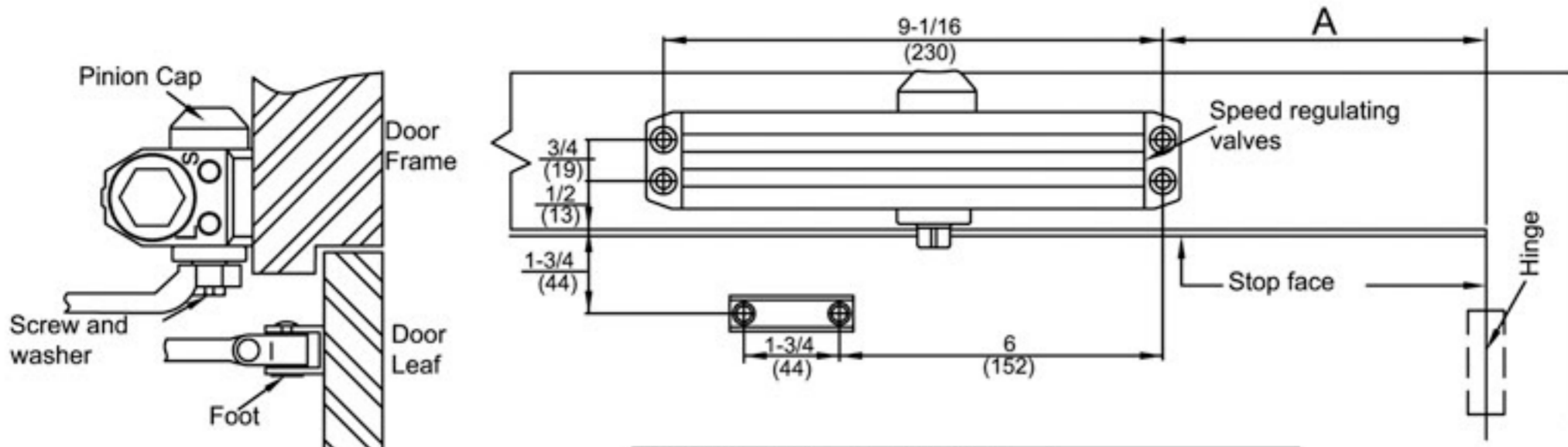
This vavle controls sweep speed



IMPROPER INSTALLATION MAY RESULT IN PERSONAL INJURY OR PROPERTY DAMAGE. FOLLOW ALL INSTRUCTIONS CAREFULLY PLEASE.

TOP JAMB MOUNTING (PUSH SIDE)

TECHNICAL DIMENSIONS:



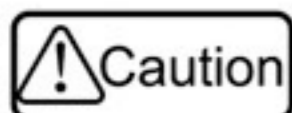
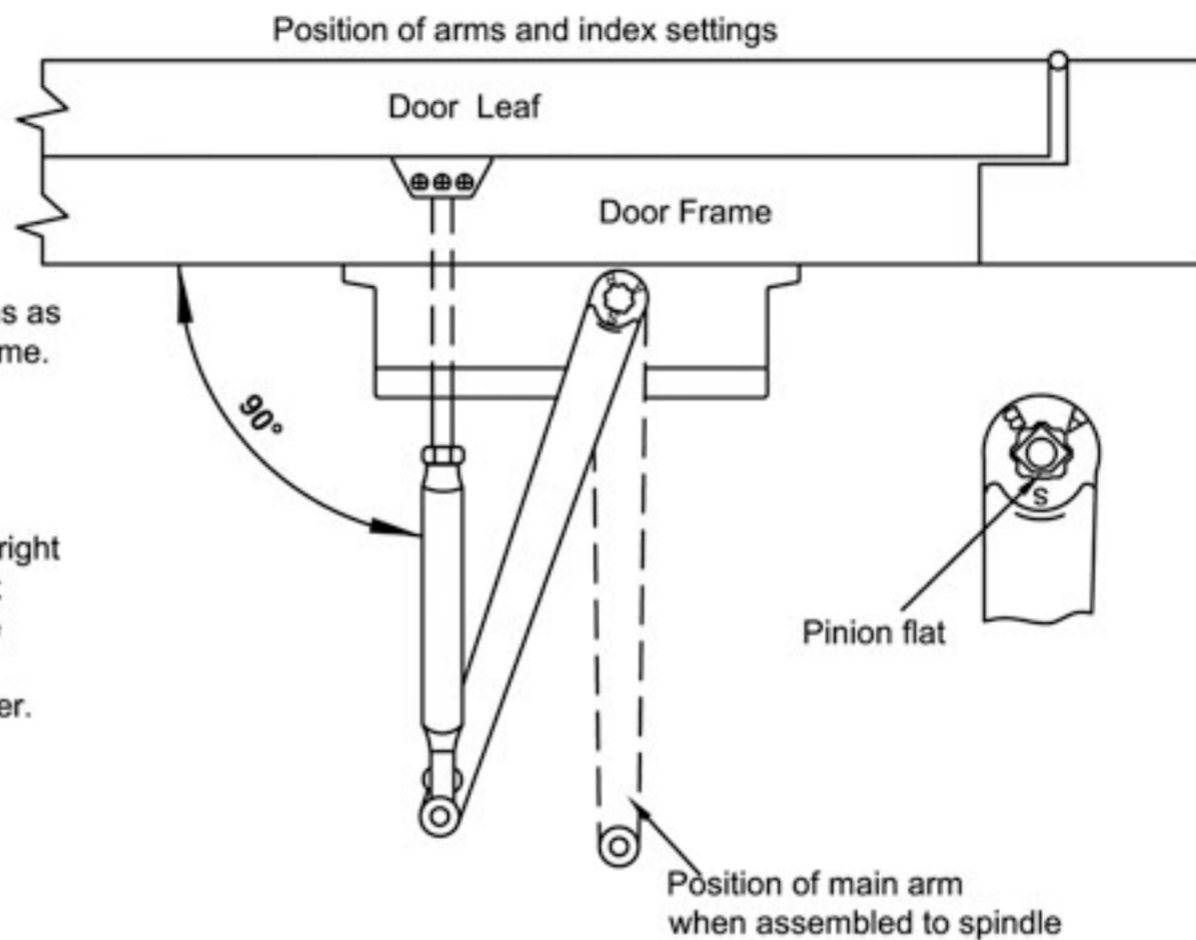
Dimension Model No.:	Dimension "A"		Opening Angle
	Inch	mm	
DC1050	6	152	120°
	3-1/2	89	180°

Right hand door illustrated
same dimensions apply to
left hand door.
Measured from hinge Center.

Dimensions are in inches
(mm)
Not To Scale

INSTALLATION STEPS:

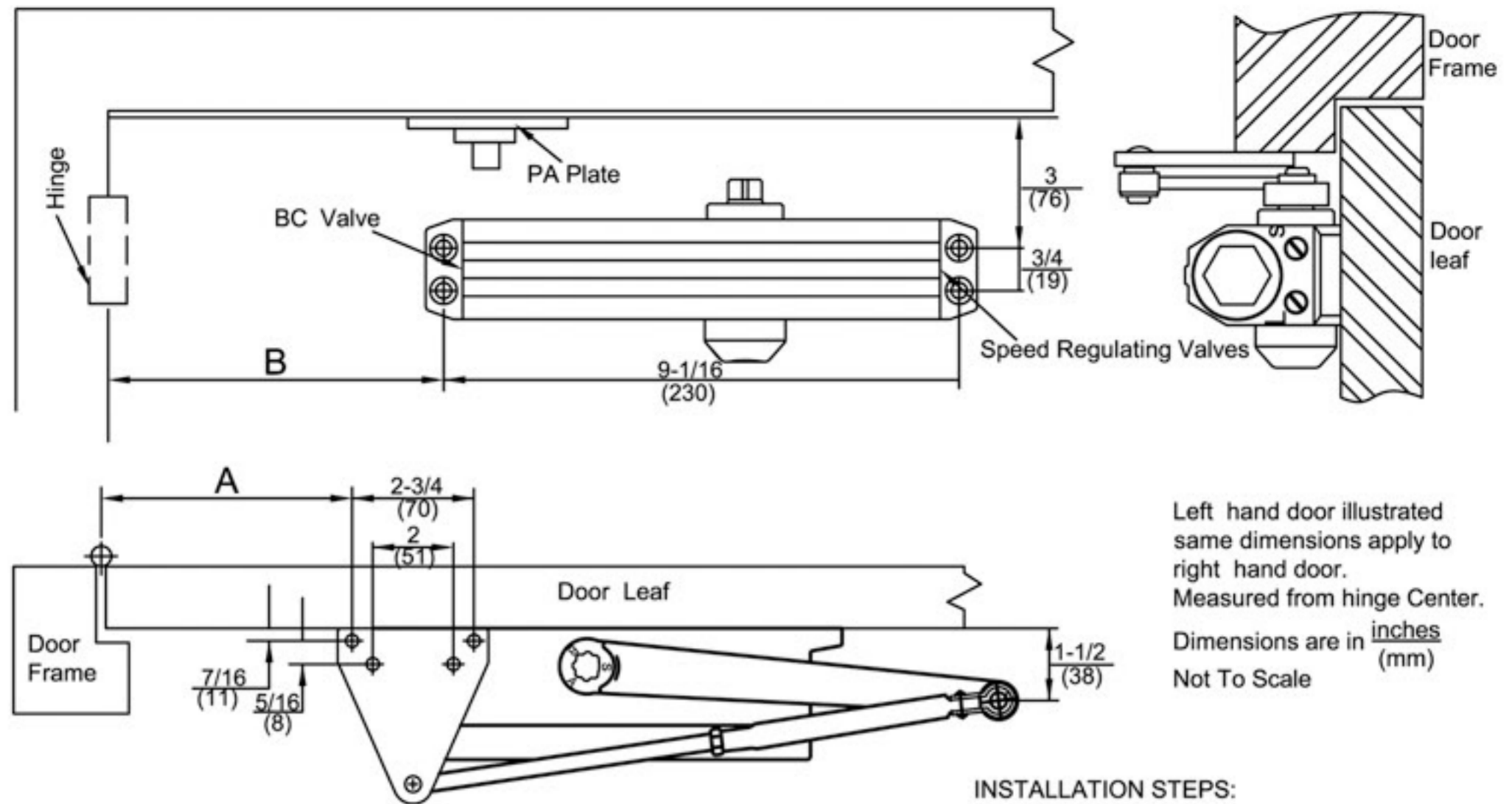
1. Select opening degree of the door. USE Dimensions as shown to drill mounting holes on door leaf and frame.
2. Assemble main arm to the closer spindle.
3. Attach the closer body to door frame with speed regulating valves toward the hinge.
4. Attach the foot and rod on the door leaf.
5. Adjust length of the forearm to position forearm at right angle to the frame when connected to main arm at elbow. USE Washer and screw provided to secure pivot connection. Tighten locknut on forearm.
6. Snap pinion cap over spindle at bottom of the closer.
7. Adjust closer. (Same to Page 2)



IMPROPER INSTALLATION MAY RESULT IN PERSONAL INJURY OR PROPERTY DAMAGE.
FOLLOW ALL INSTRUCTIONS CAREFULLY PLEASE.

PARALLEL ARM MOUNTING (PUSH SIDE)

TECHNICAL DIMENSIONS:

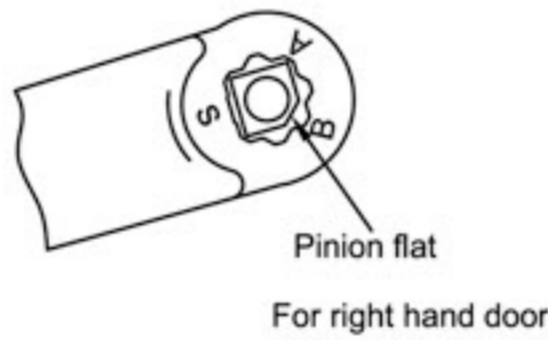
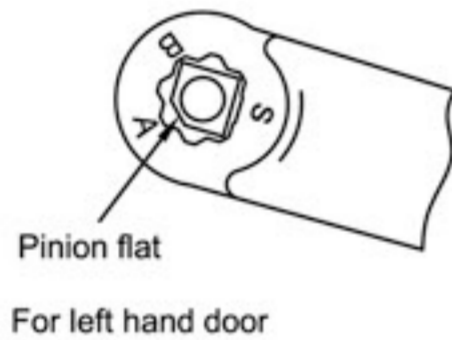


Left hand door illustrated same dimensions apply to right hand door. Measured from hinge center. Dimensions are in inches (mm) Not To Scale

INSTALLATION STEPS:

1. Select opening angle of the door. USE dimensions shown in chart and illustration above to drill mounting holes on door frame and leaf.
2. Attach closer to door leaf with speed regulating valves away from hinge.
3. Attach PA plate to top frame as shown.
4. Remove foot from forearm as shown and discard it.
5. Install main arm on pinion shaft, Rotate pinion 45° toward hinge edge of door to align main arm letter "B" (Right hand door) or "A" (Left hand door) with pinion flat. Fasten with arm screw.
6. Fasten forearm to PA plate.
7. Adjust forearm length to set the arm elbow about 1-1/2" (38mm) from door when connected to main arm. USE washer and screw provided to secure pivot connection. Tighten locknut.
8. Snap pinion cap over spindle at bottom.
9. Adjust closer. (Same to Page 2)

Dimension: Model No.:	Dimension "A"		Dimension "B"		Opening Angle
	Inch	mm	Inch	mm	
DC1050	7-3/4	197	6-1/8	156	130°
	5-3/4	146	4-1/8	105	180°



IMPROPER INSTALLATION MAY RESULT IN PERSONAL INJURY OR PROPERTY DAMAGE. FOLLOW ALL INSTRUCTIONS CAREFULLY PLEASE.