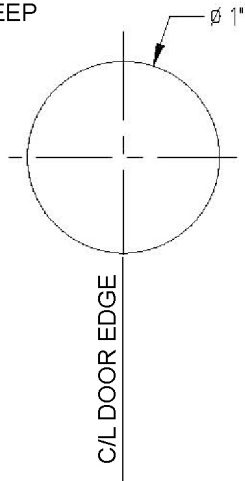
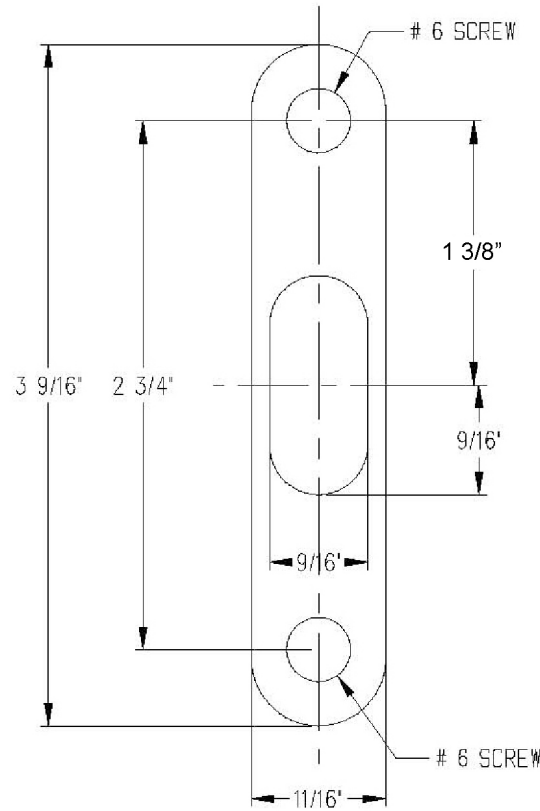
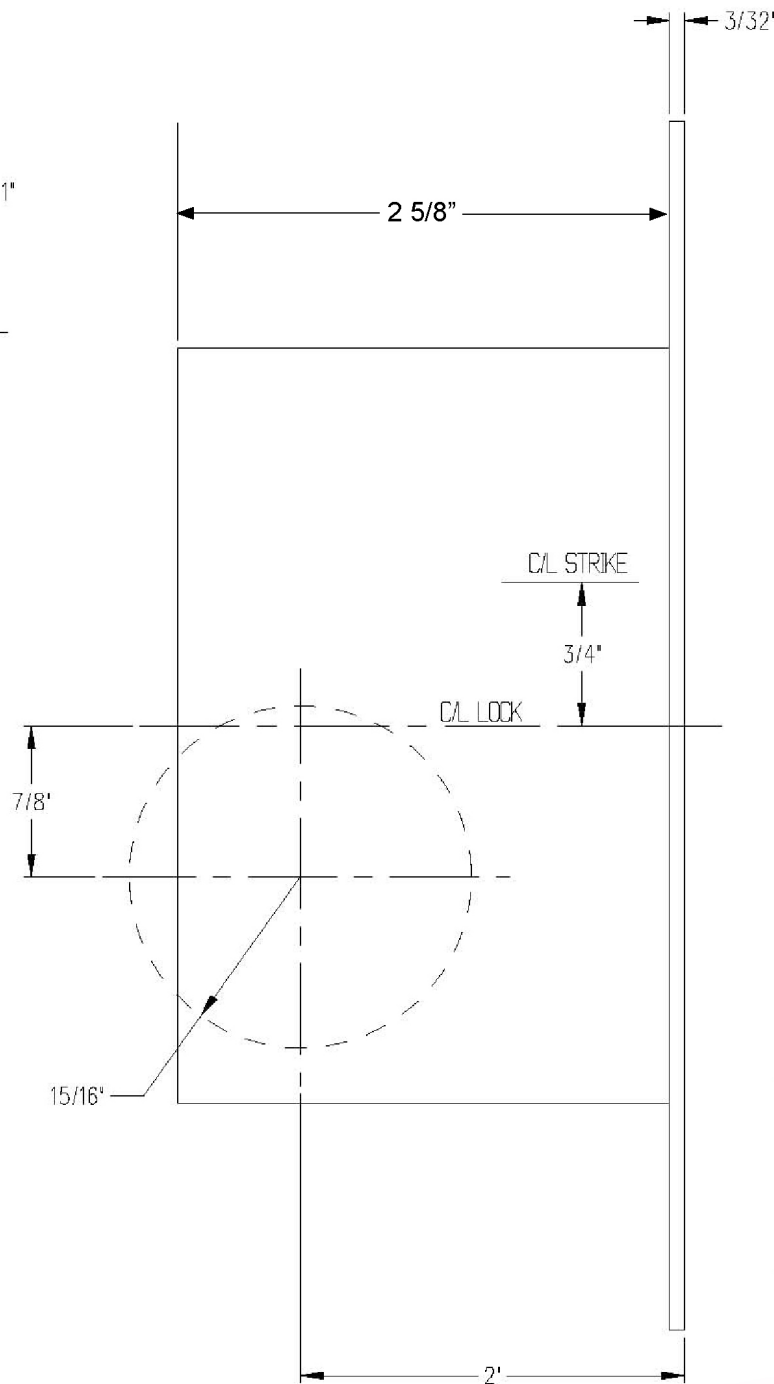


INSTALLATION TEMPLATE FOR OMNIA #3910 & #3911 POCKET DOOR LOCK

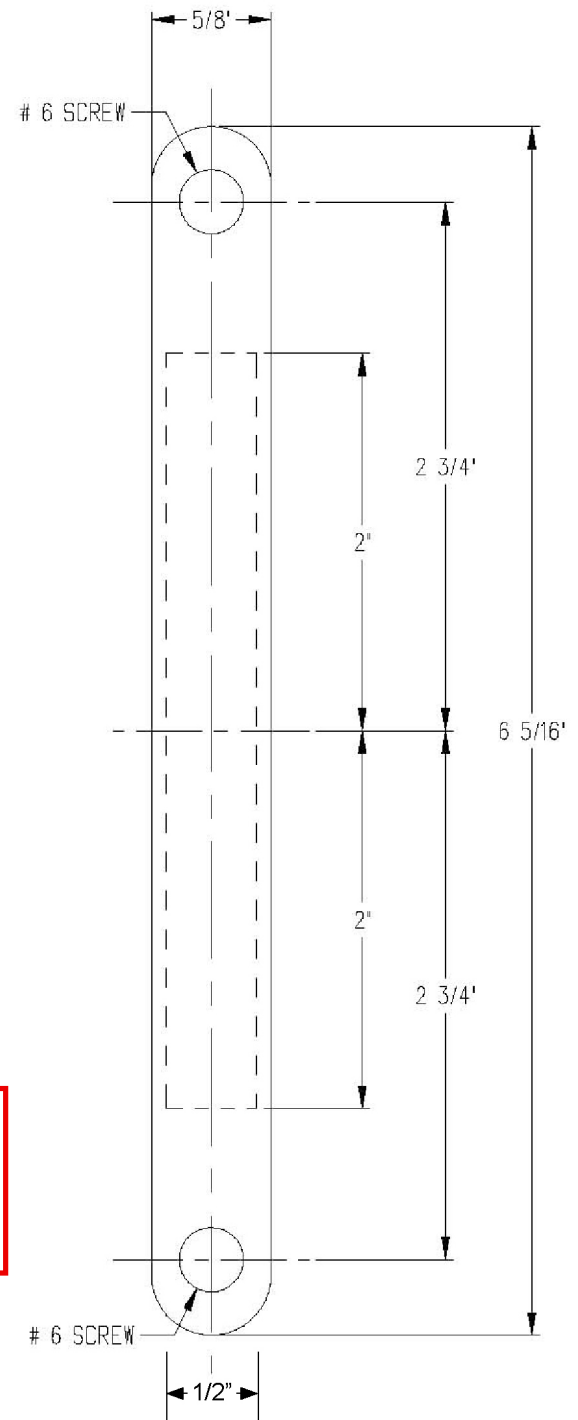
DOOR EDGE FINGER PULL
1" DIA. 7/8" DEEP



POCKET TRIM
MORTISE TRIM SIDE
1 7/8" DIA. HOLE 7/8"
BELOW LOCK C/L



NOTE: Template may not be true-to-size. Please use for reference purposes only. Do NOT drill until measurements are verified.



LOCK CASE
MORTISE 1/2" WIDE
X 4" HIGH X 2 3/4" DEEP
POCKET FOR LOCK CASE

LOCK FACEPLATE
5/8" DIA. X 3/32" DEEP
X 6 5/16" HIGH

LOCK STRIKE
3/4" ABOVE LOCK C/L
11/16" DIA. x 3/32" DEEP
X 3 9/16" HIGH