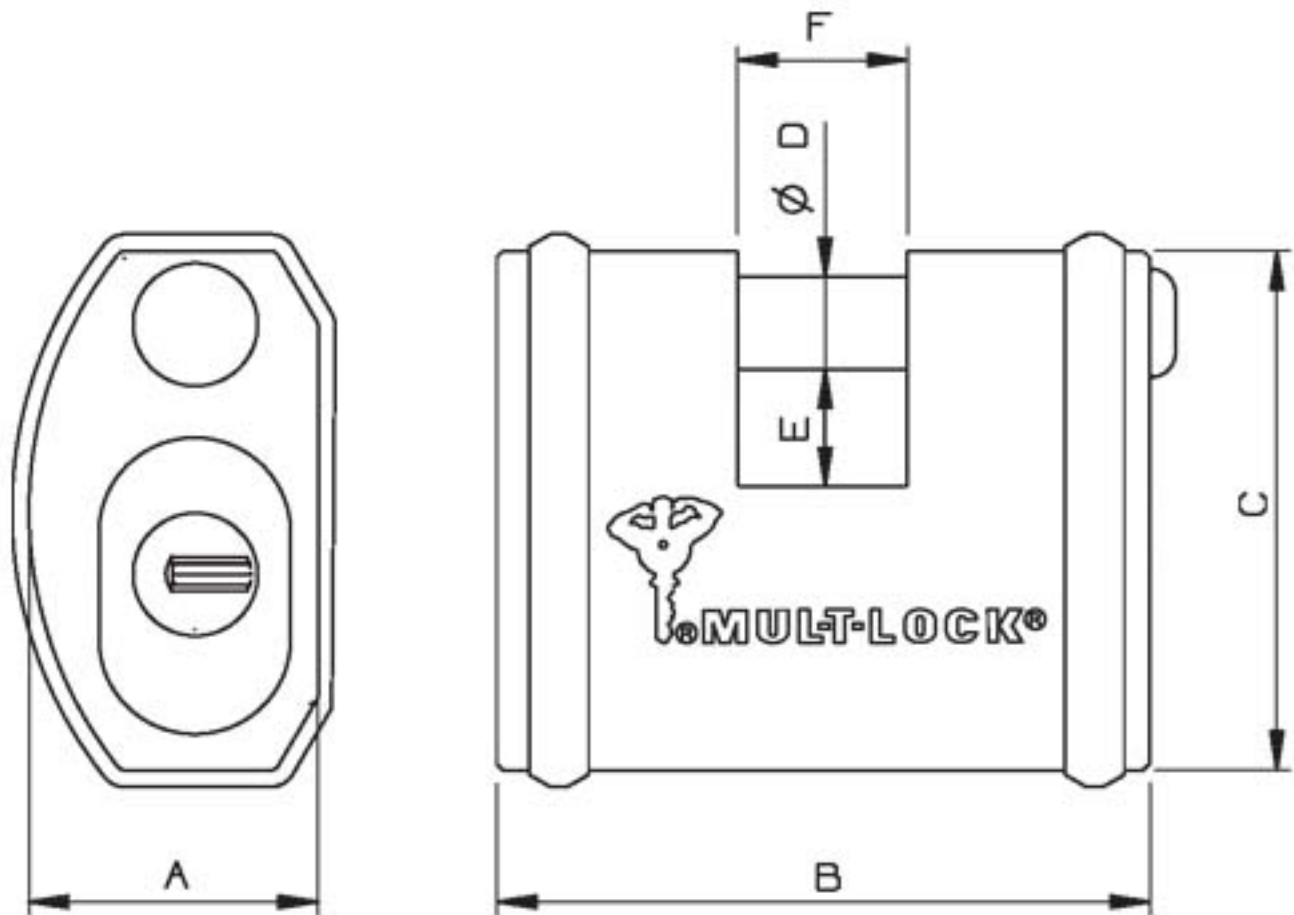


## E-Series Sliding Bolt Padlock



Model number		Body			Bolt & Clearance		
		A	B	C	D	E	F
SBE 11 P	mm	34	77	62	11	14	20
	Inch	1.338	3.014	2.440	0.433	0.551	0.787
SBE 11 R	mm	34	77	62	11	14	28
	Inch	1.338	3.014	2.440	0.433	0.551	1.102
SBE 13 P	mm	34	86	72	13	15	25
	Inch	1.338	3.385	2.834	0.511	0.590	0.984
SBE 13 R	mm	34	86	72	13	18.5	36
	Inch	1.338	3.385	2.834	0.511	0.728	1.417

R- regular      P- optimal for use with padbar