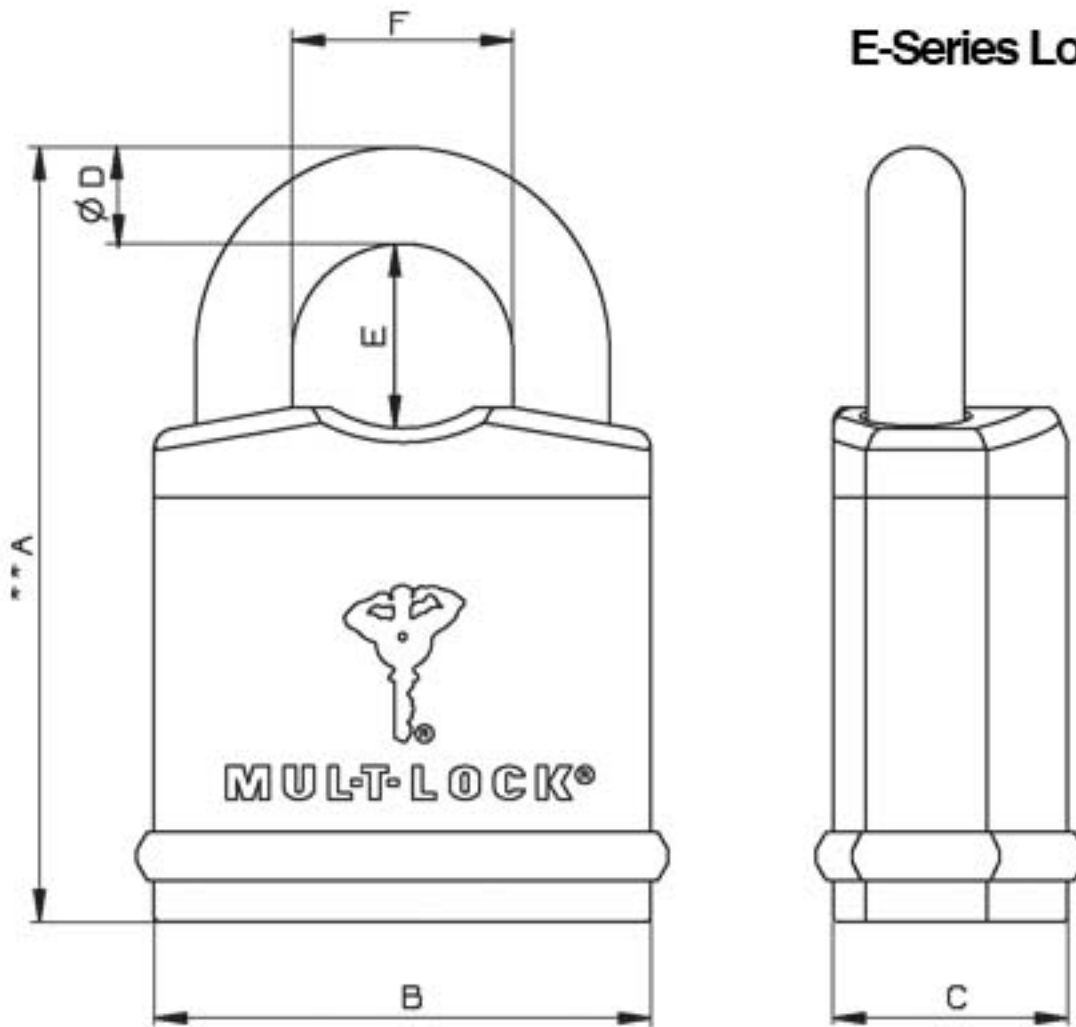


E-Series Low Guard Padlock



Model	Body			Shackle						Standard Grades*		Suitable Padbar
	A	B	C	D	E			F	"CEN"	"ASTM"		
					E1	E2	E3					
E8-L	mm	82	52	33	8	14	50	102	26	4	3	PB-8
	Inch	3.228	2.047	1.229	0.314	0.551	1.968	4.015	1.023			
E11-L	mm	94	62	34	11	16	58	102	29	4	4	PB-11
	Inch	3.700	2.440	1.338	0.433	0.629	2.283	4.015	1.141			
E14-L	mm	104	72	34	14	19	63	102	32	6	5	PB-14
	Inch	4.094	2.834	1.338	0.551	0.748	2.480	4.015	1.259			

*Applicable to "ASTM", "CEN" grade standard .

**A is correct for E1; to calculate A2, add the difference between E1 and E2; to calculate A3, add the difference between E1 and E3.